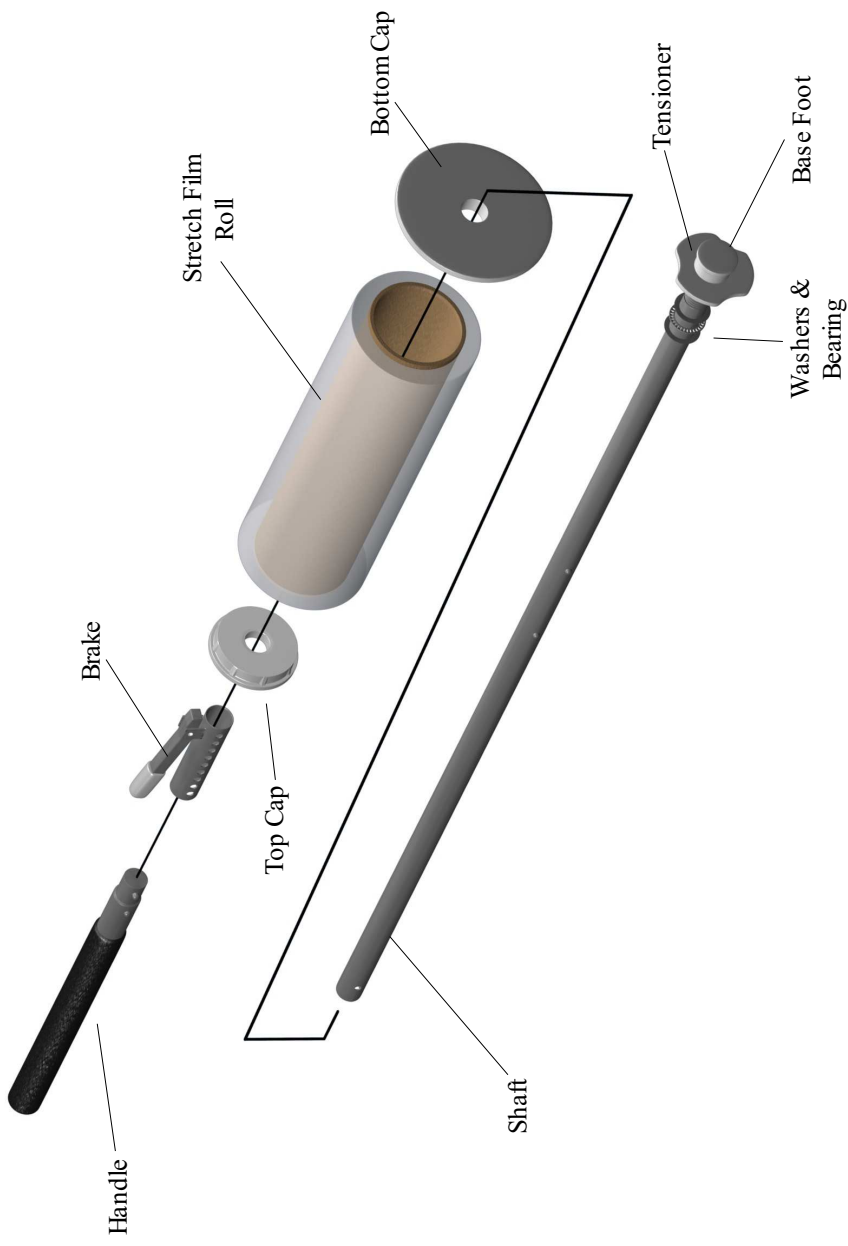


Nelson Wrap Dispenser (NWD)2010 Directions



Unpacking and Assembly

Step 1

Remove the following parts from the box: Bottom Cap (enclosed in bag), Handle, and Shaft.

Step 2

Remove the following parts from the Shaft in this order: Brake and Top Cap.

Step 3

Slide the Bottom Cap onto the Shaft first, then the roll of stretch film along with the Top Cap. Slide the Brake down the Shaft to the hole corresponding to the film size you are using. Adjust the Tensioner to the desired tension, then attach the Handle. You are now all set to begin wrapping!

Changing the Stretch Wrap Roll

Loosen the Tensioner. Remove the following parts from the Shaft in this order: Handle, Brake, and Top Cap. Remove the empty stretch wrap core from the Shaft and replace it with a new stretch film roll. Reassemble the dispenser.

Warning: Do **Not** remove the Tensioner, Base Foot, Bearing or Washers from the dispenser. Doing so could result in poor operation and dispenser malfunction.

Using the Nelson Wrap Dispenser



Fig. 1



Fig. 2



Fig. 3

Wrapping Skids

First, set the tension on the bottom of the dispenser. Then holding the dispenser as seen in **Fig. 1** with your right near the brake (if right handed), start at the base of the skid and walk *forward* in an upright, natural position, riding the Base Foot on the floor. Once you can comfortably reach the hand brake, you may apply it as you go around each corner for a tighter wrap. For best results, do not “ride” the handbrake.

Continue wrapping and gradually bring up the dispenser until you are able to comfortably switch your left hand to the bottom of dispenser as seen in **Fig. 2**.

For high skids, you may switch the dispenser into the upright position with your right hand near the handbrake as seen in **Fig. 3**. Tilt the dispenser slightly forward so that the film being applied is holding the bulk of the weight, not your arms.

Capping Skids

To cap off a skid, hold the dispenser as seen in **Fig. 4** and go from corner to corner creating a figure X pattern on top of the skid. This will help protect the load from debris and loss of freight.



Fig. 4



Fig. 5

Wrapping a Skid on a Forklift

Stand in front of the skid and wrap the load in a safe manner by circling the dispenser over and under the skid. Figure X the top when finished to secure the whole load.